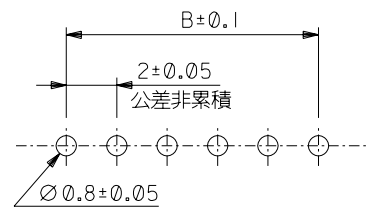


- NOTE
1. 嵌合相手: 51382-****
 2. 偶数極 (列) に適用。
 3. キンフは両外側の位置に付加。

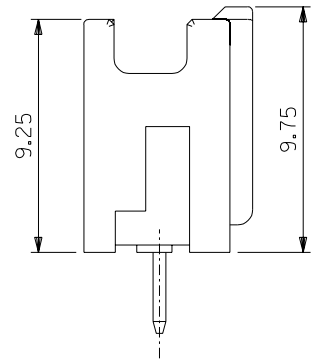
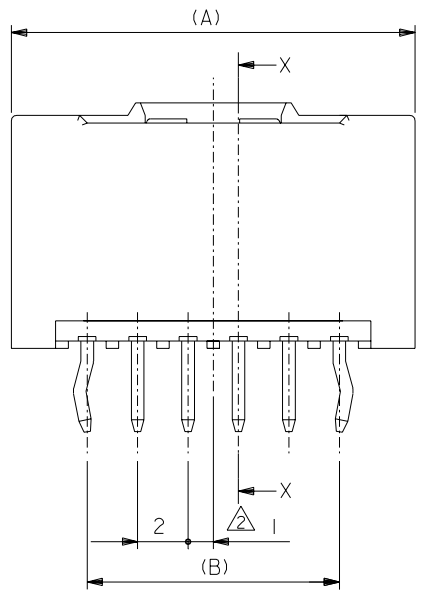
製品番号 MATERIAL NO.
55932-****

極数 CIRCUIT SIZE



推奨基板寸法
(t = 1.6)

回路番号 I
CKT. NO. I



| 色 COLOR | 30 | 31 | 32 | 33 | 34 | 35 | 36 | 37 | 38 | 39 | 51 | 53 | 54 | 55 | 56 | 58 |
|----------------------------|------------|----------|-------------|-----------|-----------|------------|------------|-------------|-------------|-----------|---------------------------|----------------|-------------------------|-----------------------|---------------------------|----|
| 自然色 (白) NATURAL (WHITE) | 黒 BLACK | 赤 RED | 黄 YELLOW | 青 BLUE | 桃 PINK | 緑 GREEN | 茶 BROWN | 橙 ORANGE | 紫 VIOLET | 灰 GRAY | 蛍光黄 FLUORESCENT YELLOW | 水 PALE BLUE | 蛍光桃 FLUORESCENT PINK | 黄緑 YELLOWISH GREEN | 蛍光橙 FLUORESCENT ORANGE | |

| 31 | 28 | 34 | 55932-15** | 15 |
|----|----|----|----------------|------|
| 29 | 26 | 32 | 55932-14** | 14 |
| 27 | 24 | 30 | 55932-13** | 13 |
| 25 | 22 | 28 | 55932-12** | 12 |
| 23 | 20 | 26 | 55932-11** | 11 |
| 21 | 18 | 24 | 55932-10** | 10 |
| 19 | 16 | 22 | 55932-09** | 9 |
| 17 | 14 | 20 | 55932-08** | 8 |
| 15 | 12 | 18 | 55932-07** | 7 |
| 13 | 10 | 16 | 55932-06** | 6 |
| 11 | 8 | 14 | 55932-05** | 5 |
| 9 | 6 | 12 | 55932-04** | 4 |
| 7 | 4 | 10 | 55932-03** | 3 |
| 5 | 2 | 8 | 55932-02** | 2 |
| C | B | A | △ MATERIAL NO. | CKT. |

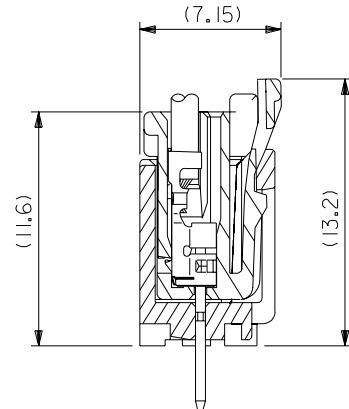
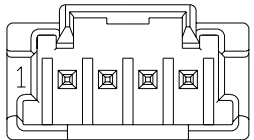
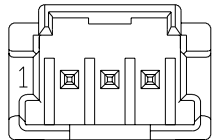
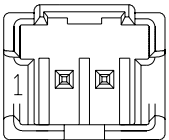
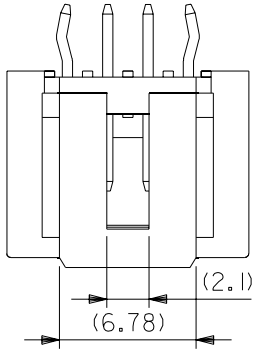
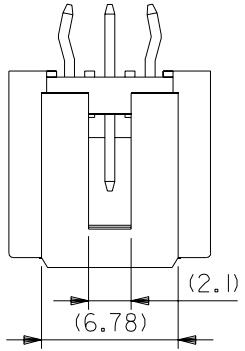
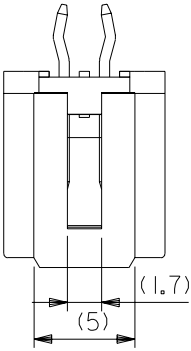
DO NOT SCALE DRAWING

| | | | | | |
|-----------------------------|-----------------------------|--|--|--|---|
| 68 NO. DRWN: CH'K: APPR: | 63 NO. DRWN: CH'K: APPR: | REVISED '04/05/31 62 NO. J2004-4514 DRWN: M. ERIGUCHI CH'K: K. ASAKAWA APPR: S. ICHIKAWA | REVISED '03/06/12 61 NO. J2003-3127 DRWN: N. ITO CH'K: K. ASAKAWA APPR: T. YAMAGUCHI | REVISED '03/04/04 60 NO. J2003-2421 DRWN: N. ITO CH'K: K. ASAKAWA APPR: T. YAMAGUCHI | MATERIAL 材料: 黄銅、ニッケル下地錫メッキ ハウジング: PBT |
| FINISH 仕上げ | | | | | GENERAL TOLERANCES: (UNLESS SPECIFIED) 一般公差 |
| WIRE RANGE 適用線径範囲 | | | | | 10 UNDER 未満 ±0.2 10 OVER 以上 30 UNDER 未満 ±0.25 30 OVER 以上 ±0.3 |
| INS. RANGE 被覆外径 | | | | | SCALE DESIGN UNITS <input checked="" type="checkbox"/> mm <input type="checkbox"/> INCH |

| | | |
|---|---|-----------------------------|
| MODEL NO.: 55932-**** DIMENSIONS: <input type="checkbox"/> mm <input type="checkbox"/> INCH <input checked="" type="checkbox"/> mm ONLY | SHT 2 | REV 2 |
| DRAWN BY & DATE T.NIITSU '02/2/8 | TITLE: 2.0 W/B SINGLE CONN. PLUG HOUSING ASS'Y ST -LEAD FREE- | |
| CHECKED BY & DATE K.ASAKAWA '03/6/12 | MOLEX MOLEX INCORPORATED | |
| APPROVED BY & DATE T.YAMAGUCHI '03/6/12 | MATERIAL NO. 55932-**** | DRAWING NO. SD-55932-006 |
| CAD FILENAME SD-55932-006.S01 | SHEET NO. 1 of 2 | SIZE B |

THIS DRAWING CONTAINS INFORMATION THAT IS PROPRIETARY TO MOLEX INCORPORATED AND SHOULD NOT BE USED WITHOUT WRITTEN PERMISSION.

8 7 6 5 4 3 2 1



嵌合断面図

2 CIRCUIT

3 CIRCUIT

4 CIRCUIT

DO NOT SCALE DRAWING

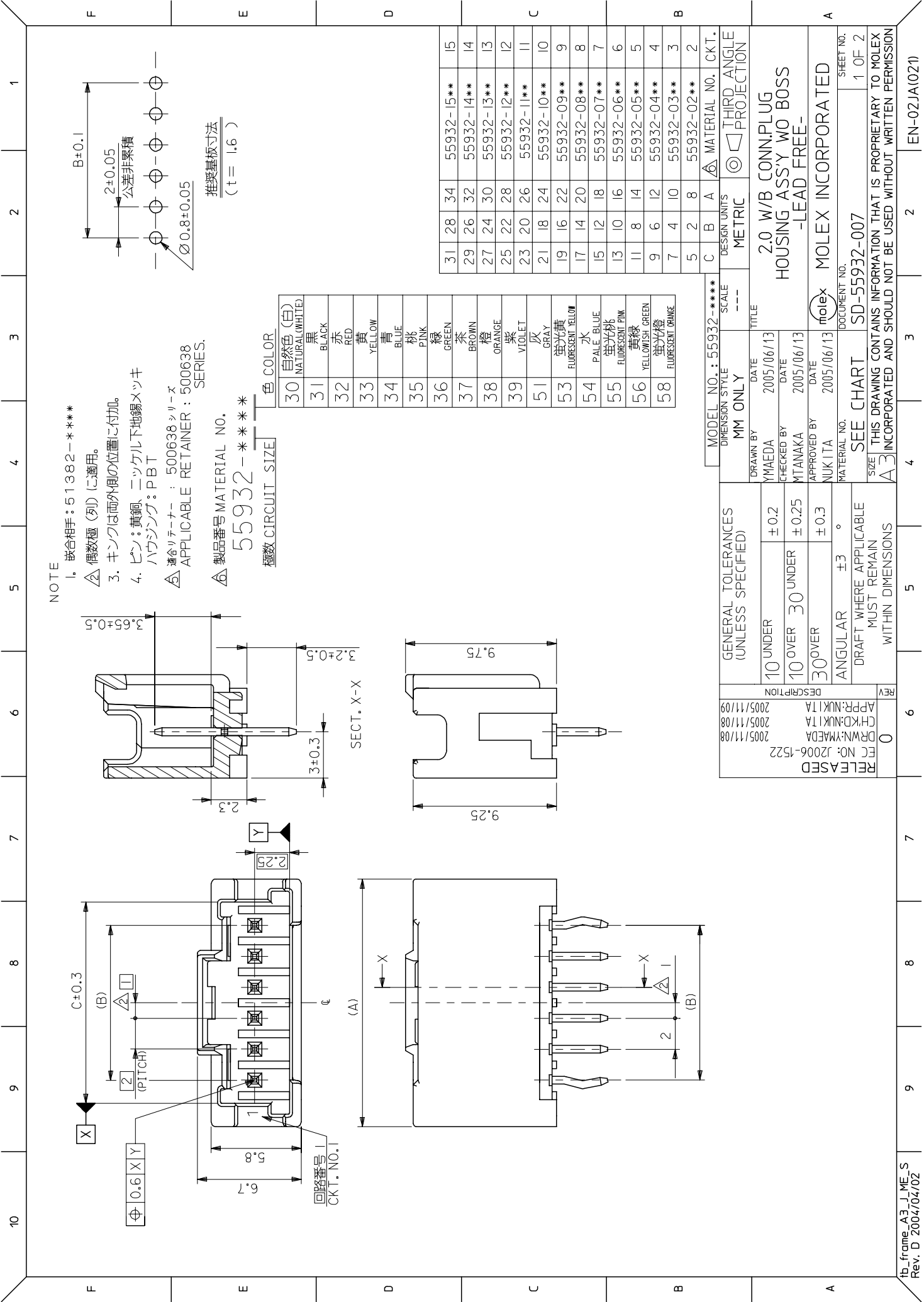
| | | | | |
|--------------------------------|--------------------------------|--|--|--|
| 64 NO. DRWN: CH'K: APPR: | 63 NO. DRWN: CH'K: APPR: | REVISED '04/05/31 62 NO. J2004-4514 DRWN: M. ERIGUCHI CH'K: K. ASAKAWA APPR: S. ICHIKAWA | REVISED '03/06/12 61 NO. J2003-3127 DRWN: N. ITO CH'K: K. ASAKAWA APPR: T. YAMAGUCHI | REVISED '03/04/04 60 NO. J2003-2421 DRWN: N. ITO CH'K: K. ASAKAWA APPR: T. YAMAGUCHI |
| G | F | E | | |

| | |
|----------------------|------------------|
| MATERIAL 材料 | SEE SHEET 1 OF 2 |
| FINISH 仕上り | |
| WIRE RANGE 適用線径範囲 | |
| INS. RANGE 被覆外径 | |

| | |
|---|--|
| GENERAL TOLERANCES: (UNLESS SPECIFIED) 一般公差 | SCALE |
| 10 UNDER 未満 | DESIGN UNITS <input checked="" type="checkbox"/> mm <input type="checkbox"/> INCH |
| 10 OVER 30 UNDER 以上 未満 | PROJECTION <input type="checkbox"/> FIRST ANGLE <input checked="" type="checkbox"/> THIRD ANGLE |
| 30 OVER 以上 | |
| ANGLE 角度 | |

| | | | |
|---|--|-----------------------------|---------------------|
| MODEL NO. : 55932-**** | DIMENSIONS: <input type="checkbox"/> mm <input type="checkbox"/> INCH <input checked="" type="checkbox"/> mm ONLY | SHT | REV |
| DRAWN BY & DATE T. NIITSU '02/2/8 | TITLE: 2.0 W/B SINGLE CONN. PLUG HOUSING ASS'Y ST -LEAD FREE- | | |
| CHECKED BY & DATE K. ASAKAWA '03/6/12 | MOLEX INCORPORATED | | |
| APPROVED BY & DATE T. YAMAGUCHI '03/6/12 | MATERIAL NO. 55932-**** | DRAWING NO. SD-55932-006 | SHEET NO. 2 of 2 |
| CAD FILENAME SD-55932-006.S02 | THIS DRAWING CONTAINS INFORMATION THAT IS PROPRIETARY TO MOLEX INCORPORATED AND SHOULD NOT BE USED WITHOUT WRITTEN PERMISSION. | | SIZE B |

8 7 6 5 4 3 2 1



NOTE

- 1. 嵌合相手: 51382-****
- 2. 偶数極 (列) に適用。
- 3. キングは面外側の位置に付加。
- 4. ピン: 黄銅、ニッケル下地鍍メッキ
ハウジング: PBT
- 5. 適合リテーナー: 500638シリーズ
APPLICABLE RETAINER: 500638 SERIES.
- 6. 製品番号 MATERIAL NO.
55932-****

推奨基板寸法
(t = 1.6)

極数 CIRCUIT SIZE

| 色 COLOR | 30 自然色 (白) NATURAL (WHITE) |
|---------|-------------------------------|
| 31 | 黒 BLACK |
| 32 | 赤 RED |
| 33 | 黄 YELLOW |
| 34 | 青 BLUE |
| 35 | 桃 PINK |
| 36 | 緑 GREEN |
| 37 | 茶 BROWN |
| 38 | 橙 ORANGE |
| 39 | 紫 VIOLET |
| 51 | 灰 GRAY |
| 53 | 蛍光黄 FLUORESCENT YELLOW |
| 54 | 水 PALE BLUE |
| 55 | 蛍光桃 FLUORESCENT PINK |
| 56 | 黄緑 YELLOWISH GREEN |
| 58 | 蛍光橙 FLUORESCENT ORANGE |

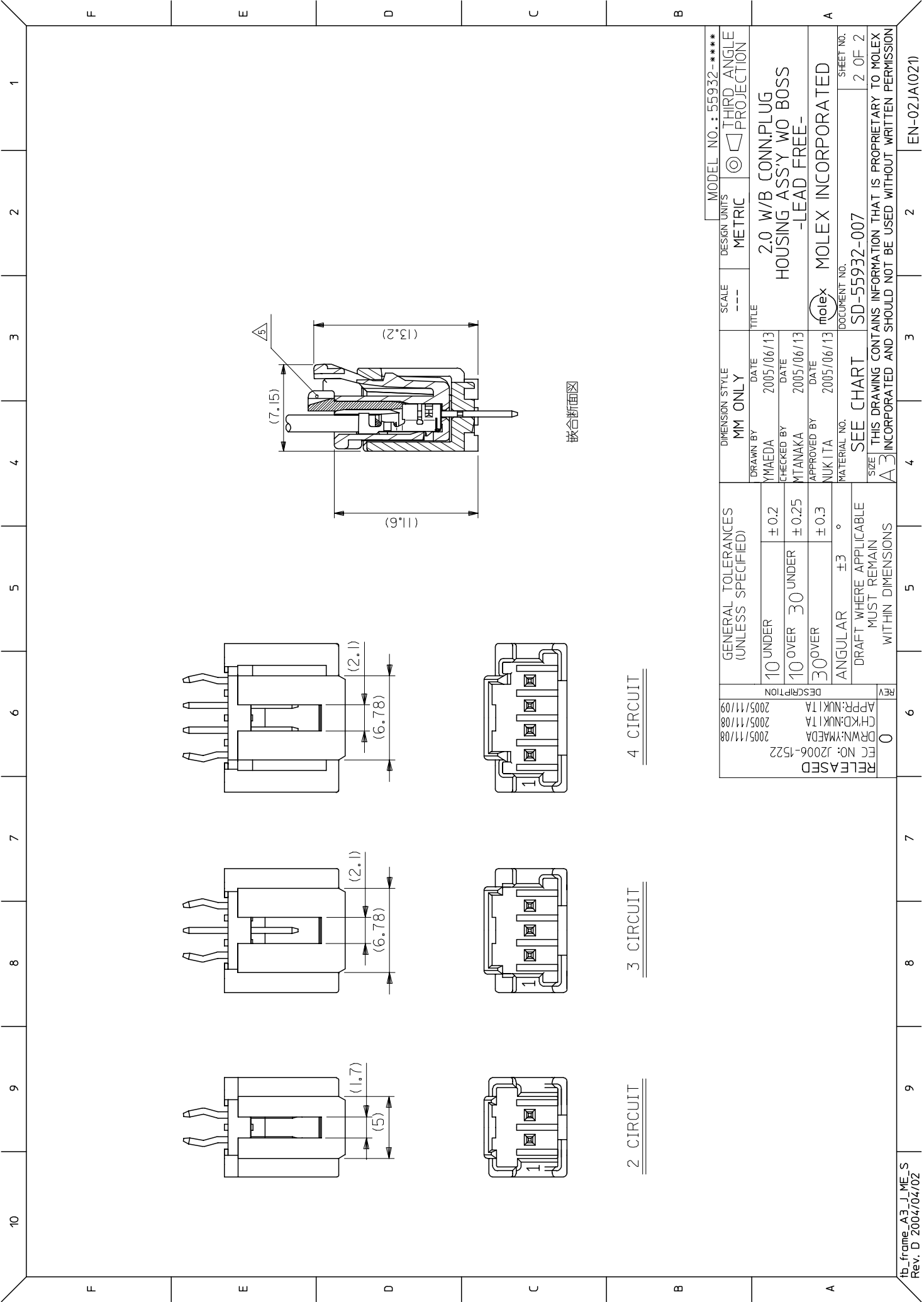
| | | | | |
|----|----|----|------------|----|
| 31 | 28 | 34 | 55932-15** | 15 |
| 29 | 26 | 32 | 55932-14** | 14 |
| 27 | 24 | 30 | 55932-13** | 13 |
| 25 | 22 | 28 | 55932-12** | 12 |
| 23 | 20 | 26 | 55932-11** | 11 |
| 21 | 18 | 24 | 55932-10** | 10 |
| 19 | 16 | 22 | 55932-09** | 9 |
| 17 | 14 | 20 | 55932-08** | 8 |
| 15 | 12 | 18 | 55932-07** | 7 |
| 13 | 10 | 16 | 55932-06** | 6 |
| 11 | 8 | 14 | 55932-05** | 5 |
| 9 | 6 | 12 | 55932-04** | 4 |
| 7 | 4 | 10 | 55932-03** | 3 |
| 5 | 2 | 8 | 55932-02** | 2 |

MODEL NO.: 55932-****

| GENERAL TOLERANCES (UNLESS SPECIFIED) | SCALE | DESIGN UNITS | TITLE |
|---------------------------------------|-------|--|--|
| 10 UNDER ±0.2 | --- | METRIC <td>2.0 W/B CONN.PLUG HOUSING ASS'Y W/O BOSS -LEAD FREE-</td> | 2.0 W/B CONN.PLUG HOUSING ASS'Y W/O BOSS -LEAD FREE- |
| 10 OVER 30 UNDER ±0.25 | | | |
| 30 OVER ±0.3 | | | |
| ANGULAR ±3 | | | |

| REVISION | DESCRIPTION | DATE | BY |
|----------|-------------|------------|------------|
| 0 | RELEASED | 2005/11/08 | DRW:YMAEDA |
| | CHKD:NUKITA | 2005/11/08 | |
| | APPR:NUKITA | 2005/11/09 | |

| GENERAL TOLERANCES (UNLESS SPECIFIED) | SCALE | DESIGN UNITS | TITLE |
|---------------------------------------|-------|--|--|
| 10 UNDER ±0.2 | --- | METRIC <td>2.0 W/B CONN.PLUG HOUSING ASS'Y W/O BOSS -LEAD FREE-</td> | 2.0 W/B CONN.PLUG HOUSING ASS'Y W/O BOSS -LEAD FREE- |
| 10 OVER 30 UNDER ±0.25 | | | |
| 30 OVER ±0.3 | | | |
| ANGULAR ±3 | | | |



嵌合断面図

2 CIRCUIT

3 CIRCUIT

4 CIRCUIT

| | | | | | | |
|--|------------|---|------------|-----------------|------------------------|-----------|
| MODEL NO. : 55932-**** | | DESIGN UNITS | SCALE | DIMENSION STYLE | THIRD ANGLE PROJECTION | |
| | | METRIC | --- | MM ONLY | | |
| TITLE | | 2.0 W/B CONN. PLUG HOUSING ASS'Y W/O BOSS -LEAD FREE- | | | | |
| DRAWN BY | DATE | CHECKED BY | DATE | APPROVED BY | DATE | |
| YMAEDA | 2005/06/13 | MTANAKA | 2005/06/13 | NUKITA | 2005/06/13 | |
| GENERAL TOLERANCES (UNLESS SPECIFIED) | | MOLEX INCORPORATED | | | | |
| 10 UNDER | ± 0.2 | DOCUMENT NO. | | | | SHEET NO. |
| 10 OVER | ± 0.25 | SD-55932-007 | | | | 2 OF 2 |
| 30 OVER | ± 0.3 | SEE CHART | | | | |
| ANGULAR | ± 3 ° | THIS DRAWING CONTAINS INFORMATION THAT IS PROPRIETARY TO MOLEX INCORPORATED AND SHOULD NOT BE USED WITHOUT WRITTEN PERMISSION | | | | |
| DRAFT WHERE APPLICABLE MUST REMAIN WITHIN DIMENSIONS | | A3 | | | | |
| DESCRIPTION | | REV | | | | |
| APPR: NUKITA 2005/11/09 | | 0 | | | | |
| CHKD: NUKITA 2005/11/08 | | | | | | |
| DRWN: YMAEDA 2005/11/08 | | | | | | |
| EC NO: J2006-1522 | | | | | | |
| RELEASED | | | | | | |